

Master Lock®



Locker and Storage Security Products Catalog

Schools • Business & Industry • Health Clubs • ADA



www.masterlock.com

LOCKER LOCK Security Products Catalog

Pg.	Section
3	Great Technologies
4	Lock Selector
5	All About ADA
Multi-User Built-In Mechanical Lock	
6 - 7	Multi-User Lock
Built-In Combination Locks	
8 - 9	1652 Series
10	1654 Series
11	1630 Series
12	1670 Series
13	1690 Series
Built-In Keyed Locks	
14	1710 & 1714 Series
15	1790 Series
Portable Locks	
16	1502 & 1525 Series
17	Letter Lock™ 1572 & 1585 Series
18	2002 & 2010 Series
19	Smooth Spin™ 2076 Series
ADA Locks	
20	Built-In Combination Locks
21	Built-In Keyed Locks
22	PushKey™ Portable Lock
Additional Security Products	
23	A1205 Series Solid Aluminum Padlocks
23	3, 11 Series Laminated Steel Padlocks

Recognized as the authentic, enduring name in padlocks and security products, Master Lock® has set the standard for quality and selection for more than 90 years.

Building on this tradition, Master Lock has greatly expanded its commercial product line, especially for safety lockout and high security applications. Today, there are many good reasons to specify Master Lock padlocks for your applications:

The broadest line: Master Lock offers a full line of products for virtually any commercial, institutional, industrial security and safety application.

Superior product quality: All Master Lock products are built with the unmatched strength and durability that you've come to know and trust. Each lock is individually tested to ensure years of trouble-free operation, dependable performance and peace of mind.

Controlled key security: Allows you to establish a safe, secure and convenient locking system. Master Lock stands alone among padlock suppliers in (a) designing security into the padlock's cylinder and operating key, and (b) providing key and installation database security management services as needed to assure the utmost in system integrity.

Unmatched sales support: Service and consultation is available to you both through our broad network of distributors as well as Master Lock's experienced sales organization.

Personal service: Our inside customer service group stands ready to provide assistance to your call.

Prompt delivery to you: Direct from our stocking distributors, or alternatively, through one of Master Lock's ISO-9001 certified facilities; our stock product distribution center or special product 'Make-to-Order' factory.

You can trust Master Lock for the products, security, support and service you need.

For more information, call us today at 1-800-308-9242 (1-800-227-9599 in Canada), or visit our web site at www.masterlock.com

Button-Less Combination Change

No Buttons to Push. No Doors to Open. No Accidental Combination Changes.

The redesigned 1652 Series now features a patent-pending button-less combination change process that allows you to switch to the next combination without having to open the locker door! Sporting an all-new sleek dial design, this lock saves on overall maintenance time and prevents accidental combination change by overstuffed lockers.



View the 1652 Lock Videos at www.masterlock.com/school/video

BlockGuard® Anti-Shim Padlock Technology

Advances Padlock Security to the Next Level.

Leading the market with innovative security solutions, Master Lock® offers the patented BlockGuard® Anti-Shim Technology – the very best in shim deterrence for combination padlocks.

These enhanced combination locks deter shimming, a method of violating a lock by inserting a specially designed shim tool into its latch mechanism. BlockGuard® has unique flat latch technology that actually blocks typical shim tools from opening the lock – deterring break-ins.

Master Lock exclusive BlockGuard® Anti-Shim Technology (U.S. Patent No. 8,099,985) is now available on Models 1502, 1525, 1572, 1585 and 2076.



View the BlockGuard® Video at www.masterlock.com/school/video

Wrap Around Latch™ Technology

The Best Lock for Single Point Latch Lockers!

The patented model 1690, 1695MKADA, and 1790 built-in locks use the same technology as an automotive door lock system, utilizing slam shut operation combined with a rotating latch that wraps around the latch plate. Designed for Single Point Latch Lockers, these locks provide the most robust design and requires the least adjustment for proper operation (U.S. Patent No. 7,984,630).



Latch Wraps Around The Latch Plate

Less Maintenance, More Security, Easy-To-Use

EXTREMELY PRY RESISTANT



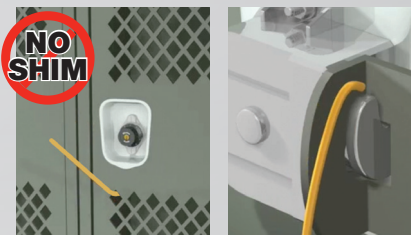
FRONT VIEW

BACK VIEW

The lock latch can not be easily separated from the latch plate through horizontal or vertical prying.

Latch hits side stop and bottom before disengaging. Can not come off latch plate!

EXTREMELY SHIM RESISTANT



FRONT VIEW

BACK VIEW

Even in the case of ventilated lockers the 1690/1790 hold strong as the Wrap Around Latch™ prevents the use of shims and similar techniques for opening the door.

Dead bolt latch automatically locks in position once the locker door is shut, preventing defeating the lock through attempts to move or shim the lock.

INCREASED HORIZONTAL TOLERANCE



FRONT VIEW




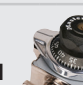








BACK VIEW

A wider operating range reduces the need for call backs or future maintenance adjustments. This saves your facility time and money. The 1690 design offers a much wider operating range.



View the 1690 Video at www.masterlock.com/school/video

Lock Selector

	Locker Application	Supervisory Access	Resistance to Vandalism	Levels of Security	Multiple User Access	Ease of Use
Multi-User Built-In Mechanical Lock						
Horizontal Latch (DB)  3670 Pg. 6	All - Single Point Latch Lockers	BEST Master Keyed Standard	BETTER Concealed Mounting	BETTER Manual Deadbolt Locking	BEST Designed for multi-use	BETTER Manual Locking
Horizontal Latch  3630/3631 Pg. 6						
Built-In Combination NOTE: All combination locks are 3 number combinations						
Vertical Latch  1630 Pg. 11 1636MKADA Pg. 20	Lift Handle	BEST Master Keyed Standard	BETTER Concealed Mounting	BEST Automatic Deadbolt	BETTER Multi Year Use with 5 Touch-of-a-Button Combination Changes Built in	BEST Slam Shut
Wrap Around Latch™  1690 Pg. 13 1695MKADA Pg. 20	Single Point Wrap Around Latch			BETTER Automatic Dead Locking, Wrap Around Latch		
Horizontal Latch  1652 Pg. 8 1654 (SB) Pg. 10 1670 (DB) Pg. 12 1676MKADA (DB) Pg. 20	All - Single Point Horiz. Latch 1670/1676MKADA Single Point Horizontal Latch and Lift Handle			BETTER Spring Bolt and Dead Bolt Models		BEST/BETTER Slam Shut or Manual Lock Option
Built-In Keyed						
Wrap Around Latch™  1790 Pg. 15	Single Point Wrap Around Latch	BETTER Master Keyed Optional	BEST Concealed Mounting, No Exposed Parts	BEST Automatic Deadbolt, Wrap Around Latch	BETTER Manual Key Assignment and Retrieval	BEST Key Operated
Horizontal Latch  1710 (DB) Pg. 14 1714 (SB) Pg. 14	Single Point Horizontal Latch and Lift Handle			BETTER Spring Bolt and Deadbolt Models		
Portable Combination NOTE: All combination locks are 3 number combinations						
General Security  2076 Pg. 19 1502/1525 Pg. 16 1572/1585 Pg. 17	Lockers with a Hasp	BETTER Master Keyed Optional	GOOD Hardened Shackle	GOOD Single Lever Locking*	GOOD Single Owner/ User	BETTER Dial Operated
High Security  2002/2010 Pg. 18				BEST Dual Ball Locking		
Portable Keyed						
PushKey™  2650 Pg. 22	Lockers with a Hasp	BETTER Master Keyed Optional	GOOD Hardened Shackle	GOOD Push Key Cylinder Locking	BETTER Manual Key Assignment and Retrieval	BEST Key Operated
High Security  A1205 Pg. 23				BEST Dual Ball Bearing Locking		
General Security  3, 11 Pg. 23				BETTER Dual Level Locking		

(DB) = Deadbolt (SB) = Springbolt

 = Various Colors Available

*BlockGuard® Anti-Shim Technology

ADA Lock Solutions



ADA COMPLIANCE DEFINED

The Master Lock® 1600 ADA Series and 1700 ADA Series Built-in Locks meet the United States Department of Justice "2010 ADA Standards for Accessible Design". This Standard requires 5% of lockers meet ADA specifications. In addition, these standards state that operable parts, the locks, meet the following requirements:

- Shall be operable with one hand
- Shall not require tight grasping, pinching, or twisting of the wrist to operate
- Shall have a force required to activate of 5 lbf (22.2N) maximum

Master Lock ADA Compliant Locker Locks achieve these requirements through the use of a specially designed keyhead and the simple operation of the lock. The large flat keyhead makes the key easy to grip for those with extreme joint pain. For those with clenched fist dexterity, the flat keyhead fits securely between their fingers. The operation of the lock can be achieved by a simple bumping action to the ADA keyhead to both open and close the lock without the need of tight grasping, pinching, or twisting of the wrist.

Many of these locks are already in use in the field for ADA applications.

As needs and requirements vary, please consult the local authority regarding use of any of these locks for a specific application.



1600 ADA SERIES BUILT-IN COMBINATION LOCKS WITH STUDENT KEY/ MASTER KEY

Three-Ways-To-Open™ technology lock:

- Student Key for ADA users (opens 1 lock)
- Master Key for supervisors (opens all ADA locks in your system)
- Combination for use like other combo locks in your system (5 combinations built in for reuse year after year)

Two keys with ADA keyheads included; order Master Keys separately
Left hand models available; see chart



1636MKADA
For Multi-Point Latch, Lift Handle Lockers

1656MKADA
For Single Point Horizontal Latch Lockers, Springbolt Operation

1676MKADA
For Single Point or Multi-Point Horizontal Latch Lockers, Deadbolt Operation

1695MKADA
For Single Point Wrap Around Latch™ Lockers

See Page 20 for more information



1700 SERIES BUILT-IN KEY ONLY LOCKS

- Simple and economical solution for lockers for those with special needs
- Each includes two keys, one with large ADA key head.
Order Master Keys separately.



1710MKADA
For Single Point or Multi-Point Latch Lockers, Deadbolt Operation

1714MKADA
For Single Point Latch Lockers, Springbolt Horizontal Operation

1790MKADA
For Single Point Wrap Around Latch™ Lockers

See Page 21 for more information



ADA Keyhead
1710-43959

Converts provided keys to meet ADA requirements

ADA Lock Selection Guide

Master Lock Product #	Locker Hinge Orientation	Reduced Physical Abilities	Reduced Cognitive Abilities	Same Function as Model
-----------------------	--------------------------	----------------------------	-----------------------------	------------------------



ADA COMPLIANT BUILT-IN LOCKER LOCKS

1636MKADA	Right Hand	*	*	1630
1637MKADA	Left Hand	*	*	1631
1656MKADA	Right Hand	*	*	1652
1651MKADA	Left Hand	*	*	1653
1676MKADA	Right Hand	*	*	1670
1677MKADA	Left Hand	*	*	1671
1695MKADA	Right Hand	*	*	1690
1710MKADA	Right or Left Hand	*	*	1710MK
1714MKADA	Right or Left Hand	*	*	1714MK
1790MKADA	Right Hand	*	*	1790MK



ADA INSPIRED PORTABLE LOCKER LOCKS

1525EZRC	Right or Left Hand	-	*	1525
2076	Right or Left Hand	*	-	-
2650	Right or Left Hand	*	*	-



ADA INSPIRED DEFINED

Master Lock ADA Inspired locks address special needs beyond those outlined in the "2010 ADA Standards for Accessible Design". These portable locks are designed to be easy to use and assist those with physical or cognitive challenges operate a lock independently. All ADA Inspired locks fit most standard lockers.



1525EZRC Simple Combos™

- Simple Combos™ – specially selected combinations that use only numbers printed on the dial (no sub-increments) so users can more easily recall and dial their combination
- Supervisory key override matches existing Master Lock portable systems, plus key can also be matched with many built-in combination lock systems
- Colored dials – black, green, purple, red, blue, orange, grey or gold, and customization with your logo or text available



2076 SmoothSpin™

- No-grip dial lets users simply rub to open – essential for those with difficulty turning dials
- Supervisory key override matches existing Master Lock portable systems, plus can be matched with many built-in combination lock systems
- Colored dials available – black, green, purple, red, and blue



2650 PushKey™

- Easy-to-open and simple-to-use – simply insert the key and pull down on the flared, easy-to-grip body to open (no key turning required)
- Includes four keys, two with large key head covers which makes gripping easy for anyone

BUILT-IN MECHANICAL LOCK

Ultimate Convenience

FOR YOU AND YOUR CUSTOMER



Fits a Variety of Locker Styles See Product Options Below

Exclusive Features

- Intuitive, easy-to-use design
- Set-your-own 3-digit combination
- Retains current combination until re-set
- Sleek design with satin finish

Built-In Multi-User Lock Advantages

- Designed for multiple use in a day for high customer turnover facilities
- Eliminates distribution, tracking and management of keys, combination or locks
- Concealed mounting and rugged zinc case
- Standard key control allows quick supervisory access
- End user registration provided to secure and simplify administration

Product Options

- Model 3670
 - for left-handed & right-handed hinged doors
 - for lift handle lockers
 - for single point latch lockers
 - manual deadbolt locking
- Model 3630
 - for right-handed hinged doors
 - for lift handle lockers
 - manual spring locking
- Model 3631
 - for left-handed hinged doors
 - for lift handle lockers
 - manual spring locking
- Extension Kit available for doors with a thickness of 11/16in (17mm) to 3/4in (19mm) #3630-0320



3630




3670

www.masterlock.com/multiuser

Ideal for Health Clubs, Country Clubs, Universities and Similar Facilities.



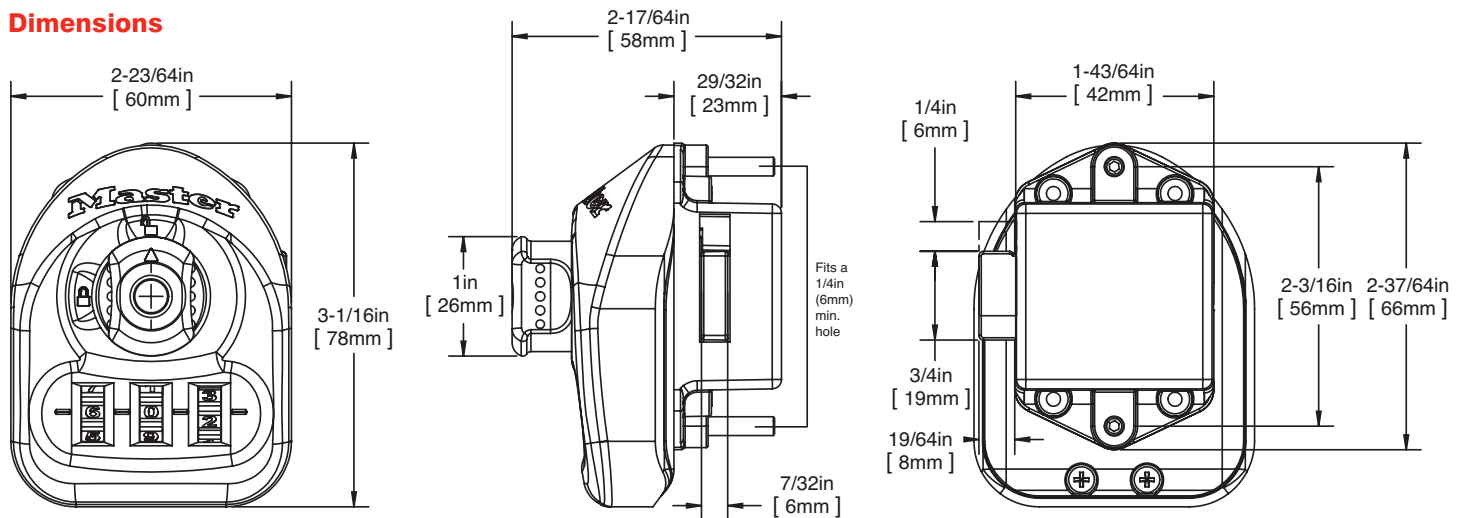
How It Works

1. Spin the Dials to Personalized 3-Digit Combination
2. Turn the Knob to the  Icon
3. Scramble the Dials

Series Models: 3670, 3630, 3631 See Product Options for more information

Fits door thickness 0.03 – 0.125in (0.8 – 3.2mm) This lock requires a mounting hole diameter of 1/4in minimum for proper installation and fit.

Dimensions



Architectural Specifications: Locks shall be built-in multi-user lock with models #3630, #3631 featuring vertically operating bolt and model #3670 featuring horizontally operating deadbolt. Locks shall have a disc cylinder for supervisory access. Locks shall have resettable combinations with no presets. Model #3630 for doors hinged on the left, model #3632 for doors hinged on the right and model #3670 for doors hinged on the right or left.

1652 Series **NEW BUTTON-LESS DESIGN**

BUILT-IN COMBINATION LOCK



**The Lock You Know...
REINVENTED!**



Customize colors (available with metal dials)

For Single Point Horizontal Latch Lockers

Exclusive Features

- New Button-less combination process – no need to open the locker door, everything is done from the outside with your control key
- Stylish, octagonal dial with larger dial numbers and easy grip for one handed operation
- The longest fully retractable bolt
- Full bolt retraction eliminates lockouts
- Springbolt action for convenient, automatic locking

Built-in Combination Lock Advantages

- Concealed mounting and rugged steel case
- Secure, three number combination is easy to dial
- Longer, useful life with five different combinations – easily changed to maintain security for new students or employees

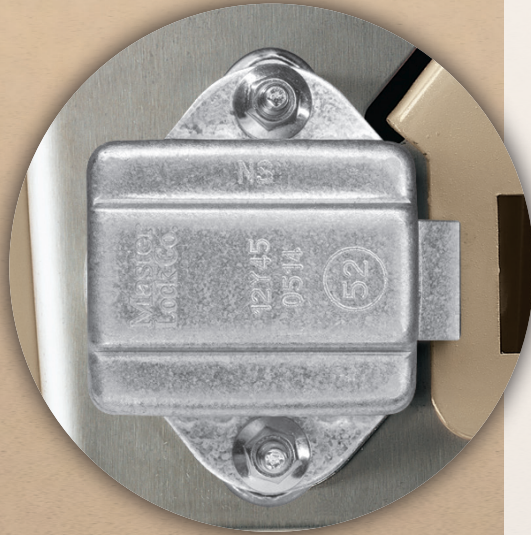
- Standard key control allows quick supervisory access
- End user registration and control charts provided to secure and simplify administration

Product Options

- Customize with color – metal dials available in red, blue, green, purple and black (featuring non-slip grip dials)
- Model 1653 is available for left-hand hinged doors
- Extension set available for doors with a thickness of 1 1/16in (17mm) to 3/4in (19mm) #1654-0320
- Metal dial available to deter vandalism (metal dials feature non-slip grip dials) #s 1652MD, 1653MD
- ADA Compliant lock models available #s 1656MKADA for right-hand hinged doors, 1651MKADA for left-hand hinged doors (See page 20)

www.masterlock.com/1652

The 1652 Series offers the longest fully retractable bolt with the convenience of an automatic locking spring bolt.



New Combination Change Process Reduces Maintenance Time

- No Buttons to Push!
- No Doors to Open!
- No Accidental Combination Changes!

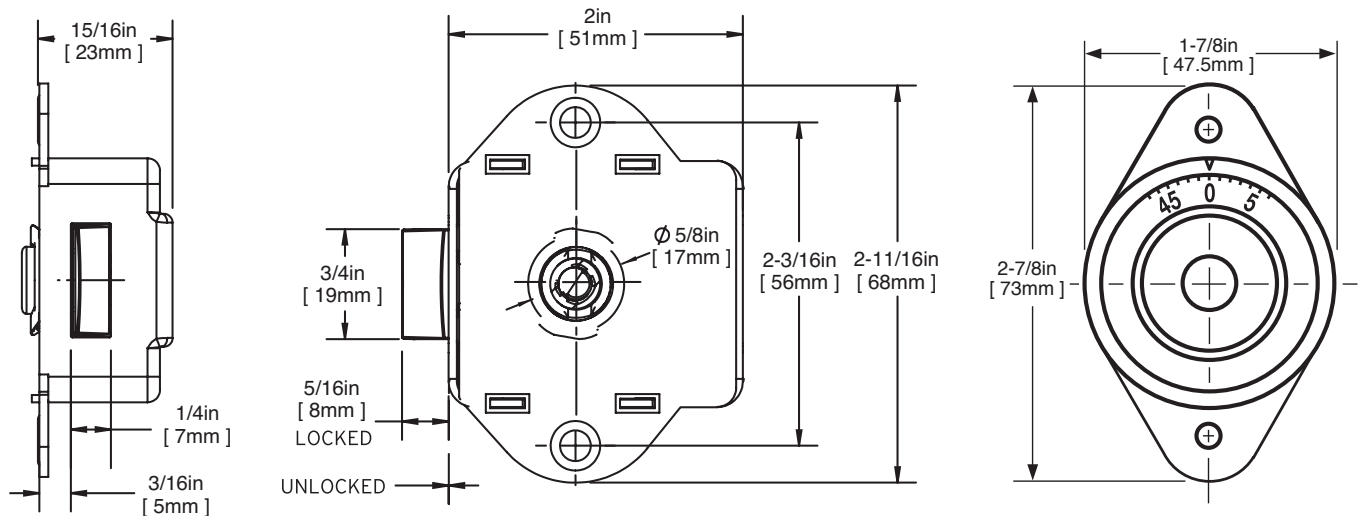
Easy Combination Changing

- Eliminate the hassle of opening every locker door to change combinations

Series Models: 1652, 1653, 1651MKADA, 1656MKADA See Product Options for more information

Dimensions

Fits door thickness 0.03 – 0.125in (0.8 – 3.2mm)



Architectural Specifications: Locks shall be built-in combination lock with horizontally operating spring bolt. Locks shall have textured, lipped dial design for easy-grip-and-pull operation. Locks shall have 5-pin tumbler cylinder for supervisory access. Locks shall have five (5) preset combinations. Locks shall have random combination change pattern; no sequentially adjacent locks shall have the same combination change pattern. Locks shall be supplied with printed Control Chart of serial numbers and combinations and text file on disc. Master Lock #1652 for lockers hinged on right. Master Lock #1653 for lockers hinged on left. For optional metal, easy-grip-and-pull dial with non-slip finish specify Master Lock #1652MD or #1653MD.

1654 Series

BUILT-IN COMBINATION LOCK



For Horizontal Latch Box Lockers

The 1654 Series is the most popular lock for multiple-tier and box lockers with pull or friction latch handles; it offers convenient automatic locking.

Series Models: 1654, 1655

See Product Options for more information

Exclusive Features

- Stylish, octagonal dial with larger dial numbers and easy grip for one handed operation
- Horizontal travel, standard length locking bolt retracts flush with lock body
- Springbolt action for convenient, automatic locking
- Ideal for box or multiple-tiered lockers

- Standard key control allows quick supervisory access
- End user registration and control charts provided to secure and simplify administration



Locked

Unlocked

Product Options

- Customize with color – metal dials available in red, blue, green, purple and black (featuring non-slip grip dials)
- Model 1655 is available for left-handed doors
- Extension set available for doors with a thickness of 11/16in (17mm) to 3/4in (19mm) #1654-0320
- Metal dial available to deter vandalism (metal dials feature non-slip grip dials) #s 1654MD, 1655MD

Built-in Combination Lock Advantages

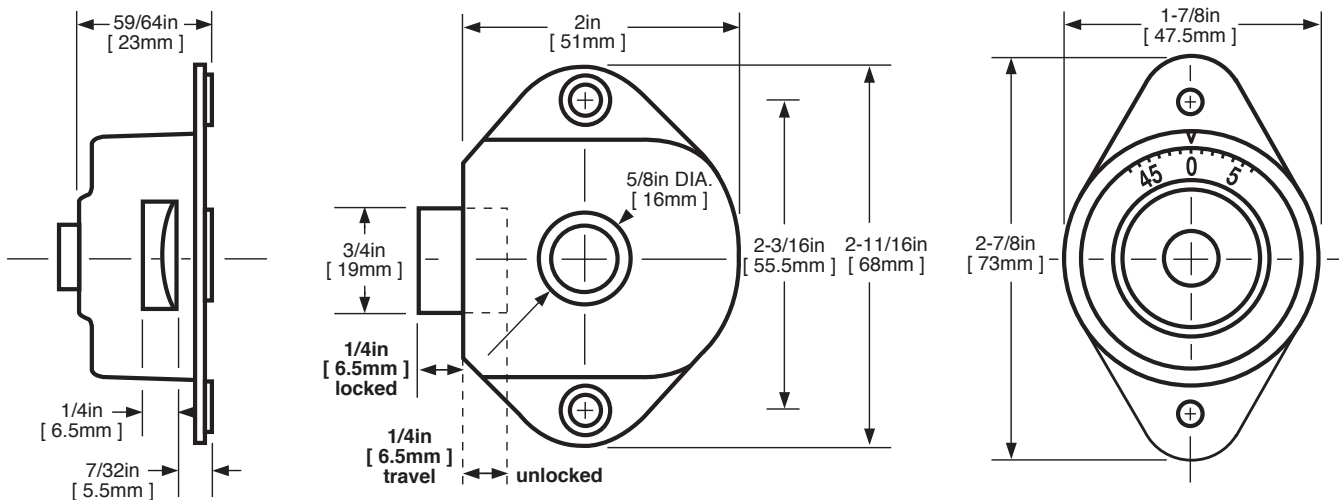
- Concealed mounting and rugged steel case
- Secure, three number combination is easy to dial
- Longer, useful life with five different combinations – easily changed to maintain security for new students or employees



Customize colors (available with metal dials)

Dimensions

Fits door thickness 0.03 – 0.125in (0.8 – 3.2mm)



Architectural Specifications: Locks shall be built-in combination lock with horizontally operating spring bolt. Locks shall have textured, lipped dial design for easy-grip-and-pull operation. Locks shall have 5-pin tumbler cylinder for supervisory access. Locks shall have five (5) preset combinations. Locks shall have random combination change pattern; no sequentially adjacent locks shall have the same combination change pattern. Locks shall be supplied with printed Control Chart of serial numbers and combinations and text file on disc. Master Lock #1654 for lockers hinged on right. Master Lock #1655 for lockers hinged on left. For optional metal, easy-grip-and-pull dial with non-slip finish specify Master Lock #1654MD or #1655MD.

1630 Series

BUILT-IN COMBINATION LOCK



For Lift Handle Lockers

The 1630 Series is the most popular built-in lock for lockers with gravity lift handles; it offers convenient automatic locking

Series Models: 1630, 1631, 1636MKADA, 1637MKADA

See Product Options for more information

Exclusive Features

- Vertical travel locking bolt engages lift handle locker mechanism
- Convenient, automatic locking
- Fits all lift handle lockers

Built-in Combination Lock Advantages

- Concealed mounting and rugged steel case
- Secure, three number combination is easy to dial
- Longer, useful life with five different combinations – easily changed to maintain security for new students or employees
- Standard key control allows quick supervisory access
- End user registration and control charts provided to secure and simplify administration

Product Options

- Customize with color – metal dials available in red, blue, green, purple and black
- Model 1631 is available for left-hand hinged doors
- Metal dial available to deter vandalism #s 1630MD, 1631MD
- ADA Compliant lock models available #s 1636MKADA for right-hand hinged doors, 1637MKADA for left-hand hinged doors (See page 20)



Locked

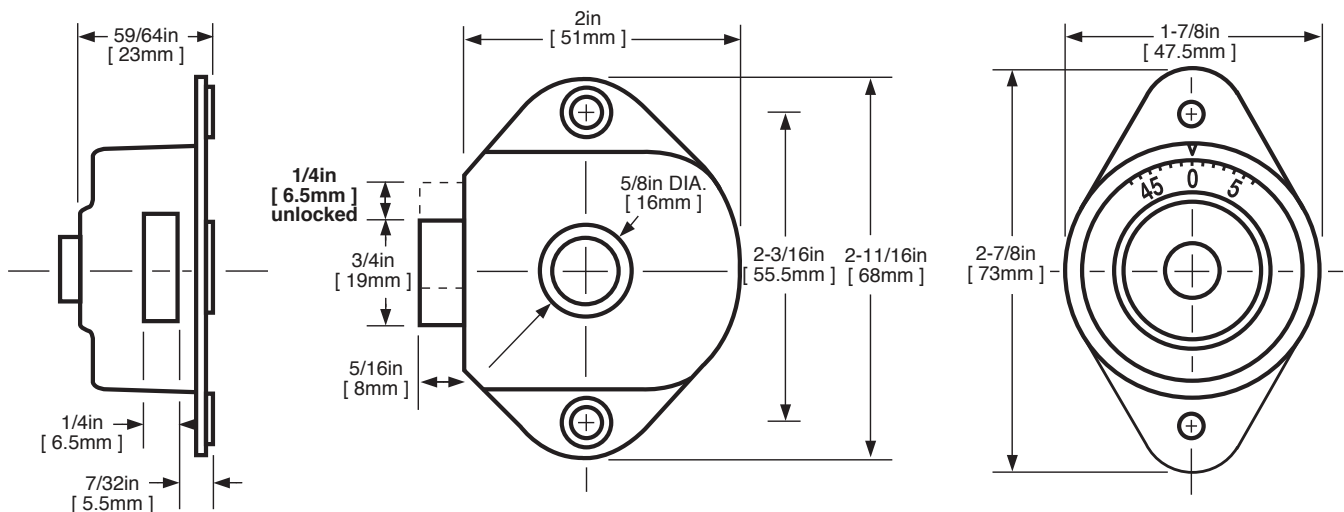
Unlocked



Customize colors

Dimensions

Fits door thickness 0.03 – 0.125in (0.8 – 3.2mm)



Architectural Specifications: Locks shall be built-in combination lock with vertically operating bolt. Locks shall automatically relock on door closure. Locks shall have 5 pin tumbler cylinder for supervisory access. Locks shall have five (5) preset combinations. Locks shall have random combination change pattern; no sequentially adjacent locks shall have the same combination change pattern. Locks shall be supplied with printed Control Chart of serial numbers and combinations and text file on disc. Master Lock #1630 for lockers hinged on right. Master Lock #1631 for lockers hinged on left. For optional one-piece metal dial with non-slip finish specify Master Lock #1630MD or #1631MD.

1670 Series

BUILT-IN COMBINATION DEADBOLT LOCK



For Lift Handle, Single Point Horizontal Latch and Box Lockers

The 1670 Series is the highest security built-in combination deadbolt lock for lift handle, turn handle and single point latch/box horizontal latch lockers.

Series Models: 1670, 1671, 1676MKADA, 1677MKADA

See Product Options for more information

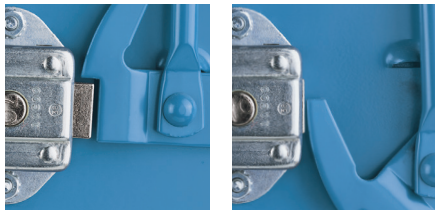
Exclusive Features

- Horizontal bolt travel provides maximum engagement to latch mechanism
- Deadbolt locking is ideal for open mesh and ventilated lockers with access to back of lock
- Manual action requires the dial to be turned to relock door
- Fits all locker styles (with the exception of the Wrap Around Latch™ designed lockers)

- Standard key control allows quick supervisory access
- End user registration and control charts provided to secure and simplify administration

Product Options

- Customize with color – metal dials available in red, blue, green, purple and black
- Model 1671 is available for left-hand hinged doors
- Extension set available for doors with a thickness of 11/16in (17mm) to 3/4in (19mm) # 1654-0320
- Metal dial available to deter vandalism (metal dials feature non-slip grip dials) #s 1670MD, 1671MD
- ADA Compliant lock model available #s 1676MKADA for right-hand hinged doors, 1677MKADA for left-hand hinged doors (See page 20)



Locked

Unlocked



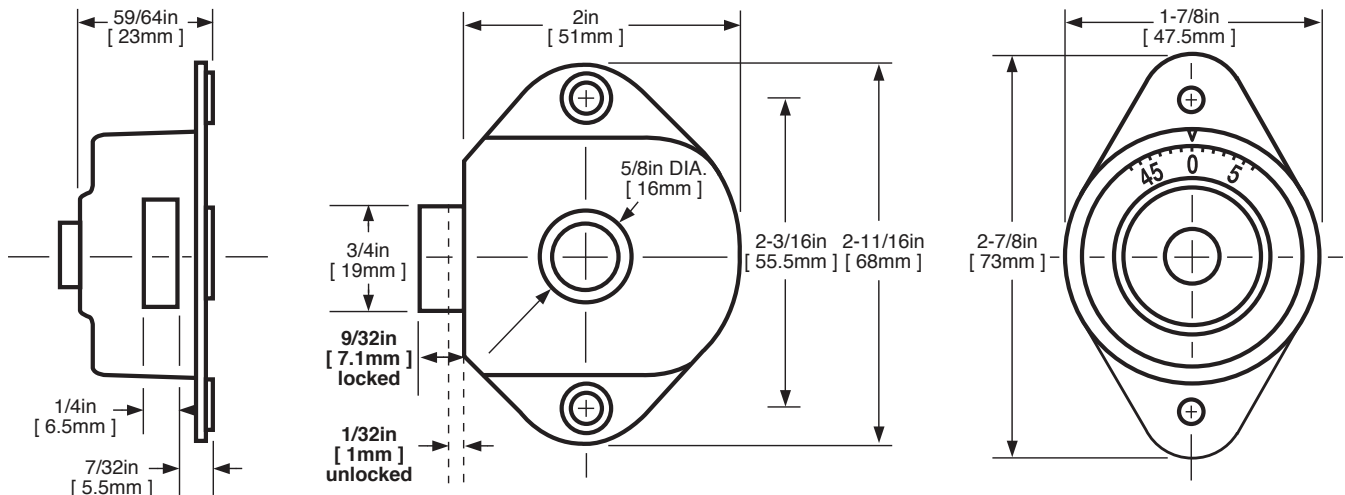
Customize colors

Built-in Combination Lock Advantages

- Concealed mounting and rugged steel case
- Secure, three number combination is easy to dial
- Longer, useful life with five different combinations – easily changed to maintain security for new students or employees

Dimensions

Fits door thickness 0.03 – 0.125in (0.8 – 3.2mm)



Architectural Specifications: Locks shall be built-in combination lock with horizontally operating deadbolt. Locks shall manually unlock and re-lock. Locks shall have 5 pin tumbler cylinder for supervisory access. Locks shall have five (5) preset combinations. Locks shall have random combination change pattern; no sequentially adjacent locks shall have the same combination change pattern. Locks shall be supplied with printed Control Chart of serial numbers and combinations and text file on disc. Master Lock #1670 for lockers hinged on right. Master Lock #1671 for lockers hinged on left. For optional one-piece metal dial with non-slip finish specify Master Lock #1670MD or #1671MD.

BUILT-IN COMBINATION LOCK



For Single Point Wrap Around Latch™ Lockers

Enhanced security built-in combination lock – the best lock for single point latch lockers!

Series Models: 1690, 1695MKADA

See Product Options for more information

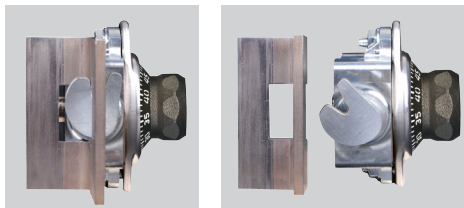
Exclusive Features

- Designed to tolerate locker misalignment making installation easier and less likely to need adjustment over the life of the lock
- Latch wraps around a latch plate offering the best and most secure single point latch engagement
- Convenient, automatic slam-shut locking combined with automatic and secure dead bolt locking
- Patented Wrap Around Latch™ technology (U.S. Patent No. 7,984,630)

- Longer, useful life with five different combinations – easily changed to maintain security for new students or employees
- Standard key control allows quick supervisory access
- End user registration and control charts provided to secure and simplify administration

Product Options

- Customize with color – metal dials available in red, blue, green, purple and black (featuring non-slip grip dials)
- Metal dial available to deter vandalism #1690MD
- Extension set available for doors with a thickness of 11/16in (17mm) to 3/4in (19mm) #1654-0320
- ADA Compliant lock model available #1695MKADA (See page 20)



Locked

Unlocked

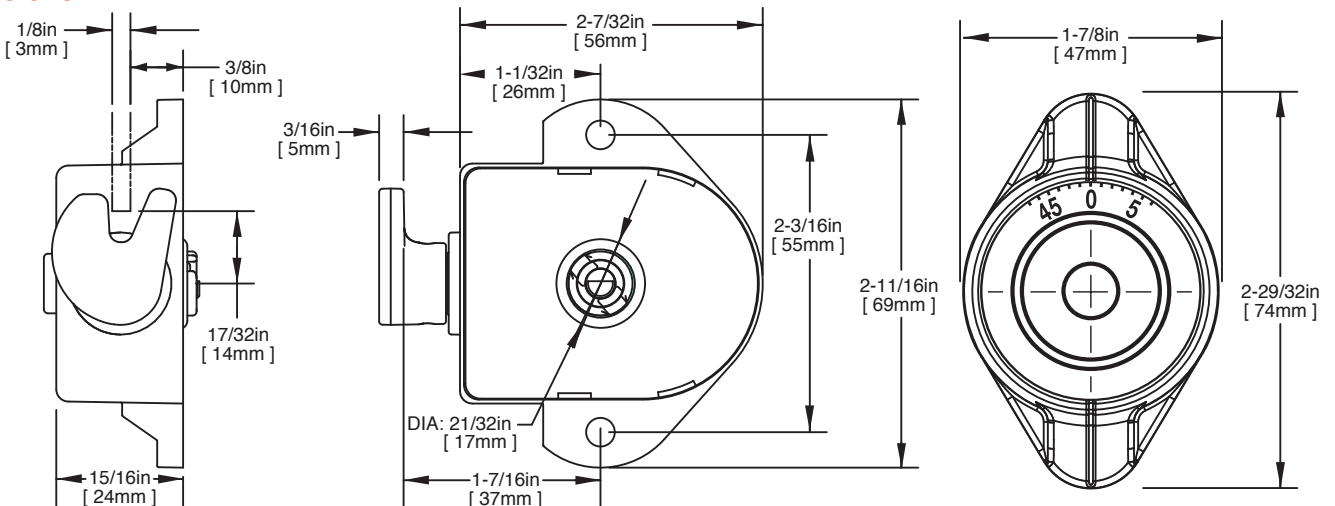


Customize colors (available with metal dials)

Built-in Combination Lock Advantages

- Concealed mounting and rugged steel case
- Automatic combination reset once door is shut
- Secure, three number combination is easy to dial

Dimensions



Architectural Specifications: Locks shall be a built-in combination lock with a rotational operating deadbolt latch that locks by wrapping around a stationary latch plate or post. Once open, re-locking shall operate by simply shutting the door, with no further operator action to lock the lock. Once locked, the latch shall not be moveable until the lock is properly opened. Locks shall have textured lipped dial design for easy-grip-and -pull operation. Locks shall have a 5 pin tumbler cylinder for supervisory key access. Locks shall have five (5) preset combinations. Locks shall have a random combination change pattern; no sequentially adjacent locks shall have the same combination change pattern. Locks shall be supplied with both a printed Control Chart and disc, containing the serial numbers and combinations. Master Lock #1690 for lockers hinged on right. For optional one-piece metal dial with non-slip finish specify Master Lock #1690MD.

1710 & 1714 Series

BUILT-IN KEYED LOCK



For Lift Handle, Single Point Horizontal Latch and Box Lockers

Perfect for horizontal and single point lockers with multiple users who are assigned access for short time periods.

Series Models: 1710, 1710ADA, 1710MKADA, 1714, 1714ADA, 1714MKADA

See Product Options for more information

Exclusive Features

- Model 1710
 - Manual deadbolt locking for highest security
 - Ideal for ventilated and open mesh lockers
- Model 1714
 - Automatic locking springbolt for slam shut convenience
 - Ideal for box lockers

Built-in Combination Lock Advantages

- Appropriate for lockers with multiple users who are assigned access for short time periods (ie. At health clubs, gyms and pools)
- High security, 5-pin tumbler cylinder for superior pick resistance
- Concealed mounting and rugged steel case
- Two keys provided for each lock
- Each model fits both left-hand and right-hand hinged doors

Product Options

- Keyed alike, master keyed and group keyed options available to provide complete flexibility to match a facility's requirements
- ADA Compliant lock model available
#s 1710ADA, 1710MKADA, 1714ADA, 1714MKADA (See page 21)

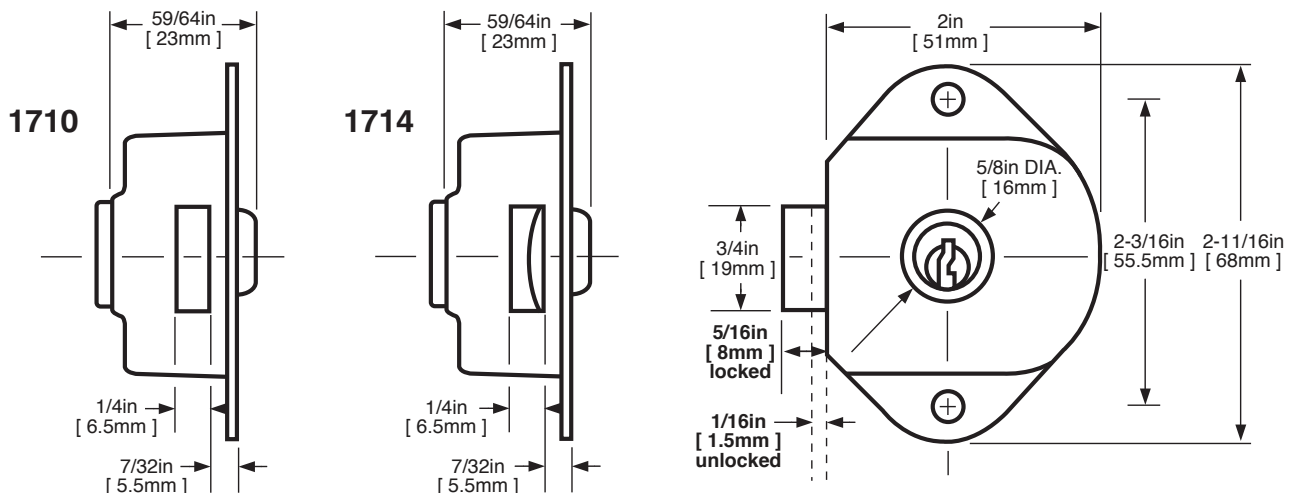


Locked

Unlocked

Dimensions

Fits door thickness 0.02 – 0.188in (0.5 – 4.7 mm)



Architectural Specifications: Locks shall be key-operated with 5 pin tumbler cylinder with individual, group, or master keying [specifier must choose keying option]. Two(2) keys per lock and mounting hardware shall be included with each lock. Specify Master Lock #1710 for deadbolt operation or Master Lock #1714 for spring bolt operation. For optional master keying, specify Master Lock # 1710MK or Master Lock # 1714MK. For optional group keying, specify Master Lock #1710GK or Master Lock #1714GK.

1790 Series

BUILT-IN KEYED LOCK

For Single Point Wrap Around Latch™ Lockers

Enhanced security built-in keyed lock – the best lock for single point latch lockers!

Series Models: 1790, 1790ADA, 1790MKADA

See Product Options for more information

Exclusive Features

- Designed to tolerate locker misalignment making installation easier and less likely to need adjustment over the life of the lock
- Latch wraps around a latch plate offering the best and most secure single point latch engagement
- Convenient, automatic slam-shut locking combined with automatic and secure dead bolt locking

- High security, 5-pin tumbler cylinder for superior pick resistance
- Concealed mounting and rugged steel case
- Two keys provided for each lock

Product Options

- Keyed alike, master keyed and group keyed options available to provide complete flexibility to match a facility's requirements
- ADA Compliant lock model available #s 1790ADA, 1790MKADA (See page 21)

Built-in Keyed Lock Advantages

- Appropriate for lockers with multiple users who are assigned access for short time periods (ie. at health clubs, gyms and pools)

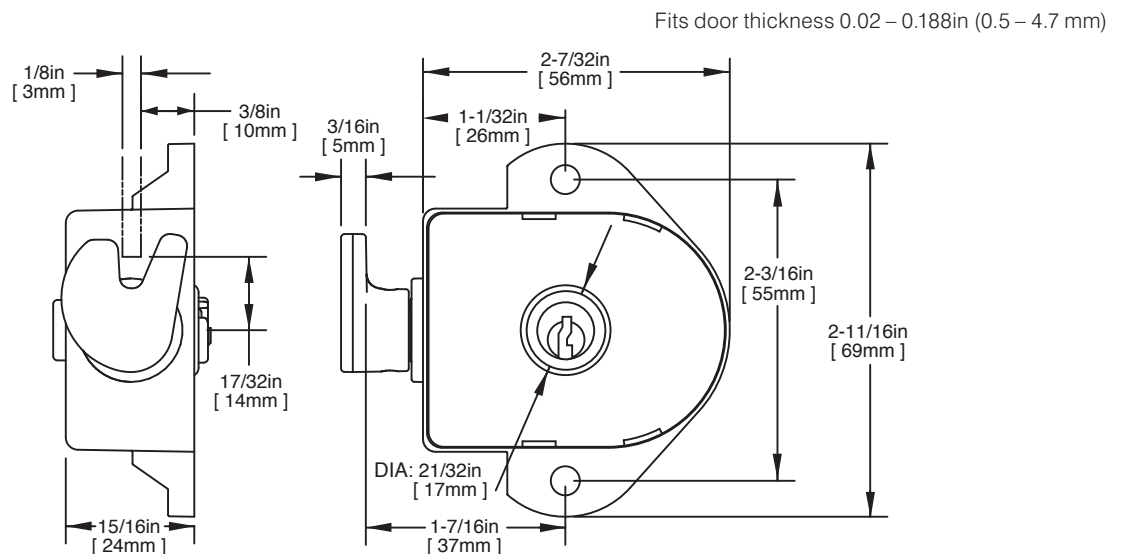


Locked



Unlocked

Dimensions



Architectural Specifications: Locks shall be a built-in keyed lock with a rotational operating deadbolt latch that locks by wrapping around a stationary latch plate or post. Once locked, the latch shall not be moveable until the lock is properly opened. Locks shall be key-operated with 5 pin tumbler cylinder with individual, group, or master keying [specifier must choose keying option]. Two(2) keys per lock and mounting hardware shall be included with each lock. For optional master keying, specify Master Lock #1790MK. For optional group keying, specify Master Lock #1790GK.

1502 & 1525 Series

PORTABLE COMBINATION LOCK

General Security Combination Padlocks

The world's most popular combination padlocks due to their durability, reliability, convenience and affordability.

Series Models: 1502, 1525

Model 1525 has additional feature of key control for supervisory access
See Product Options for more information

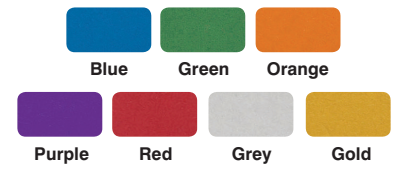
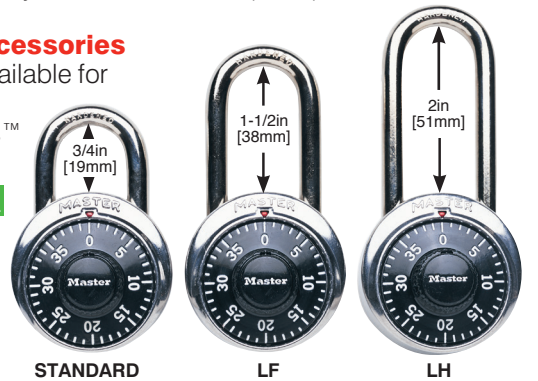
Exclusive Features

- BlockGuard® Anti-Shim Technology - blocks typical shimming tools from opening the lock – deterring break-ins (U.S. Patent No. 8,099,985)
- Hardened steel shackle resists cutting and prying
- Double-reinforced stainless steel case with cold-rolled steel construction shields locking mechanism from physical attack
- 40 number, three-digit dialing provides thousands of possible combinations
- Dial automatically locks under shackle tension to prevent “feeling out” the combination
- Combination automatically scrambles when lock is closed to prevent accidental opening
- Fits lockers with a padlock eye of at least 5/16in (8mm) diameter

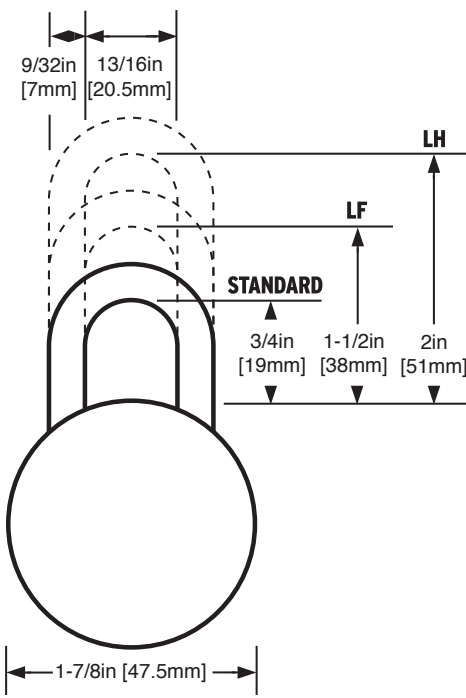


Product Options and Accessories

- Longer shackle lengths available for special applications
- 1525EZRC Simple Combos™ Only the numbers printed on the dial for your lock combination. **ADA Inspired** Easy-to-Dial, Easy-to-Remember (See page 5)
- Custom logo or text
- Colored dials
- Bumpers – Reduce locker wear/less noise: black (1500-0620), red (1504-0620) or blue (1506-0620)
- Combinations in pairs or alike
 - Order 2 or more locks with the same combination. Allows student using multiple locks to use same combination for each lock
- Special back case printing
 - Your custom text engraved on lock backs
- Blank dialing instruction tags (1500-0590)
 - For administrative redistribution of locks



Dimensions



Additional Features

- Padlocks come with a charted system to keep track of combinations

Letter Lock™ 1572 & 1585 Series

PORTABLE COMBINATION LOCK



General Security Combination Padlocks

The world's most popular combination padlocks due to their durability, reliability, convenience and affordability.

Series Models: 1572, 1585

Model 1585 has additional feature of key control for supervisory access
See Product Options for more information

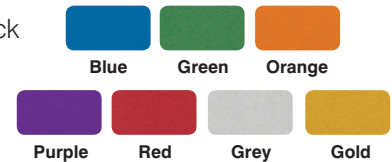
Exclusive Features

- BlockGuard® Anti-Shim Technology - blocks typical shimming tools from opening the lock – deterring break-ins (U.S. Patent No. 8,099,985)
- Hardened steel shackle resists cutting and prying
- Double-reinforced stainless steel case with cold-rolled steel construction shields locking mechanism from physical attack
- 20 letter, three-digit dialing provides thousands of possible combinations
- Dial automatically locks under shackle tension to prevent “feeling out” the combination
- Combination automatically scrambles when lock is closed to prevent accidental opening
- Fits lockers with a padlock eye of at least 5/16in (8mm) diameter

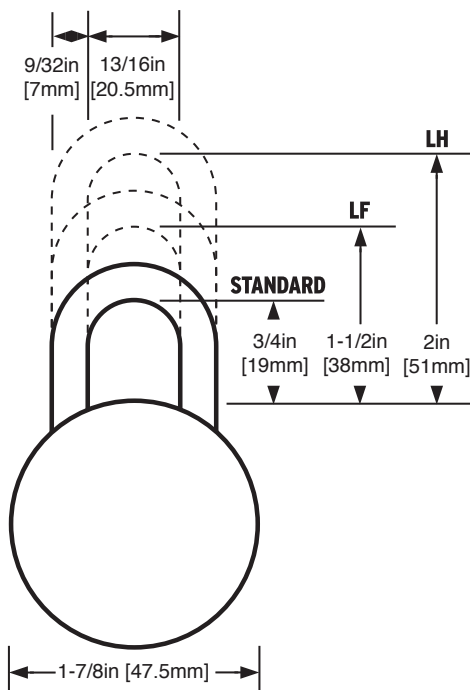


Product Options and Accessories

- Longer shackle lengths available for special applications
- Custom logo or text
- Colored dials
- Bumpers – Reduce locker wear/less noise: black (1500-0620), red (1504-0620) or blue (1506-0620)
- Combinations in pairs or alike
 - Order 2 or more locks with the same combination. Allows student using multiple locks to use same combination for each lock
- Special back case printing
 - Your custom text engraved on lock backs
- Blank dialing instruction tags (1500-0590)
 - For administrative redistribution of locks



Dimensions



Additional Features

- Padlocks come with a charted system to keep track of combinations

PORTABLE COMBINATION LOCK

High Security Combination Padlocks

The highest security combination padlock available, providing three times the security of competitive padlocks.

Series Models: 2002, 2010

Model 2010 has additional feature of key control for supervisory access
See Product Options for more information

Exclusive Features

- Dual ball bearing, deadbolt locking mechanism resists hammering and prying
- Hardened, boron alloy shackle resists cutting and prying
- Reinforced, stainless steel outer case with massive, die-cast zinc inner case protects locking mechanism
- Fully recessed dial resists knock-off and prying attempts
- 40 number, three number combination provides thousands of possible combinations
- Dial automatically locks under shackle tension to prevent “feeling out” the combination
- Combination automatically scrambles when lock is closed to prevent accidental re-opening
- Fits lockers with a padlock eye of at least 11/32in (9mm) diameter

Additional Features

- 2002 and 2010 padlocks come with a charted system to keep track of combinations

Product Options and Accessories

- Short shackle available for recessed handle lockers
- Shackle fits a padlock eye of at least 11/32in (9mm) diameter

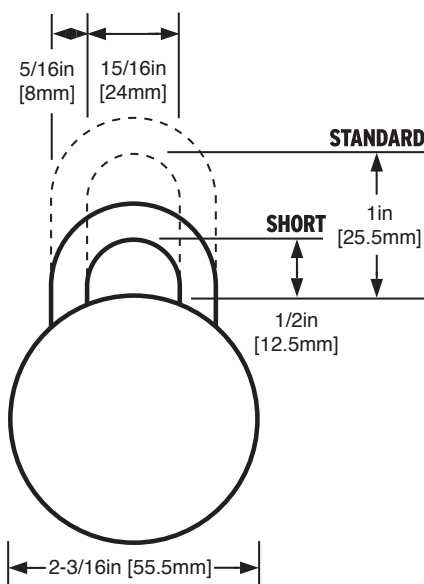


2002 or 2010

2002S or 2010S



Dimensions



PORTABLE COMBINATION LOCK



SmoothSpin™ padlocks bring style and convenience to today's school environment

Series Models: 2076BLU, 2076GRN, 2076RED, 2076PRP

Model has an additional feature of key control for supervisory access

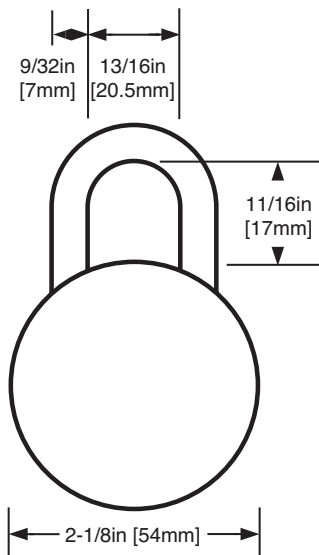


Exclusive Features

- BlockGuard® Anti-Shim Technology - blocks typical shimming tools from opening the lock – deterring break-ins
- SmoothSpin™ provides easy operation – fingertip twist or thumb-turn dialing
- Large numbers and increments makes finding combinations easy
- Durable die-cast zinc body and dial shields locking mechanism from physical attack
- 40 number, three-number dialing provides thousands of possible combinations
- Dial automatically locks under shackle tension to prevent “feeling out” the combination
- Combination automatically scrambles when lock is closed to prevent accidental opening
- Hardened steel shackle resists cutting and prying
- Fits lockers with a padlock eye of at least 5/16in (8mm) diameter



Dimensions



Product Options and Accessories

- Blank dialing instruction tags (1500-0590)
- For administrative redistribution of locks

Additional Features

- Padlocks come with a charted system to keep track of combinations
- Models have an additional feature of key control for supervisory access



BUILT-IN COMBINATION LOCKS



1636MKADA

1656MKADA

1695MKADA

1676MKADA

Exclusive Features

3 Ways to Open Lock!

- Student Key (for ADA student)
 - Two keys provided with ADA keyheads
 - Key only opens one lock
- Master Key (for supervisors)
 - Each Master Key opens all ADA locks in your system
- Combination (for use like other combo locks in your system)
 - 5 combinations built in for reuse year after year
 - Automatic combination reset once door is shut
- Allows flexibility of using locker for standard use (combination) or ADA use (student key)
- Same look helps mainstream ADA students
- Key code is visible inside keyhead
- Same concealed mounting and rugged metal case as the 1630 (pg. 11), 1670 (pg. 12) and 1690 (pg. 13)

1636MKADA/1637MKADA - Lift Handle Lockers

Works on any locker where 1630 Series locks could be used.

- 1636MKADA for right-hand hinged doors, 1637MKADA for left-hand hinged doors

1651MKADA/1656MKADA - Single Point Horizontal Latch Lockers

Works on any locker where 1652 Series locks could be used.

- 1651MKADA for left-hand hinged doors, 1656MKADA for right-hand hinged doors

1676MKADA/1677MKADA - Lift Handle, Turn Handle and Single Point Latch/Box Horizontal Latch Lockers

Works on any locker where 1670 Series locks could be used.

- 1676MKADA for right-hand hinged doors, 1677MKADA for left-hand hinged doors

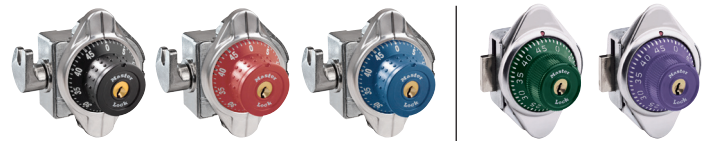
1695MKADA - Single Point Wrap Around Latch™ Lockers

Works on any locker where 1690 Series locks could be used.

- 1695MKADA for right-hand hinged doors

Product Options

- Metal dial available to deter vandalism; order number 1636MKMDADA, 1651MKADA, 1656MKADA, 1676MKMDADA or 1695MKMDADA
- Customize with a color – five colors to choose from

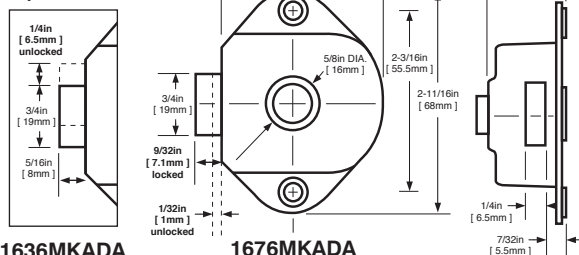


Shown Here: 1695MKADA

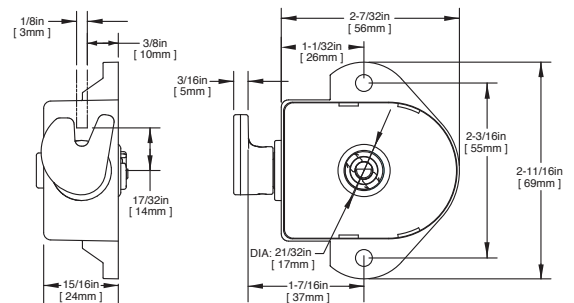
Shown Here: 1636MKADA

Dimensions

1636MKADA and 1676MKADA have same lock body dimensions. Only the bolt is different.



Fits door thickness 0.03 – 0.125in (0.8 – 3.2 mm)



Architectural Specifications: Locks shall be both key operated and combination operated. Key operation shall use a 5 pin tumbler cylinder with individual and master keying capabilities. Locks shall have five (5) preset combinations. Locks shall have a random combination change pattern; no sequentially adjacent locks shall have the same combination change pattern. Locks shall be supplied with a printed Control Chart, containing the serial numbers and combinations. For optional one-piece metal dial specify Master Lock number 1636MKMDADA, 1676MKMDADA, or 1695MKMDADA. Add to the front of specifications as follows; For 1636MKADA: Locks shall be built-in combination lock with vertically operating bolt. For 1676MKADA: Locks shall be built-in combination lock with horizontally operating deadbolt. For 1695MKADA: Locks shall be a built-in combination lock with a rotational operating deadbolt latch that locks by wrapping around a stationary latch plate or post.



BUILT-IN KEYED LOCKS



1710ADA/1710MKADA - Single Point Horizontal Latch or Lift Handle Lockers

Works on any locker where 1710 Series locks could be used.

- 1710ADA/1710MKADA – for left-hand or right-hand hinged doors

1714ADA/1714MKADA - Single Point Horizontal Latch or Box Lockers

Works on any locker where 1714 Series locks could be used.

- 1714ADA/1714MKADA – for left-hand or right-hand hinged doors

1790ADA/1790MKADA - Single Point Wrap Around Latch™ Lockers

Works on any locker where 1790 Series locks could be used.

- 1790ADA/1790MKADA – for right-hand hinged doors

Exclusive Features

- Two keys provided for each lock
- Keys and keyheads are replaceable
- Key code is visible inside keyhead

Model 1710ADA/1710MKADA

- Manual deadbolt locking for horizontal and lift handle latch lockers

Model 1714ADA/1714MKADA

- Spring bolt locking mechanism available for box and single point latch lockers

Model 1790ADA/1790MKADA

- Designed to tolerate locker misalignment; easier installations and less adjustments for the life of the lock
- Automatic slam shut with secure deadbolt locking for Wrap Around Latch™ lockers
- Allows flexibility of adapting locker for ADA usage whenever needed
- New latch wraps around a latch plate offering the best and most secure single point latch engagement

Built-in Keyed Lock Advantages

- High security, 5-pin tumbler cylinder for superior pick resistance
- Concealed mounting & rugged metal case deter vandalism

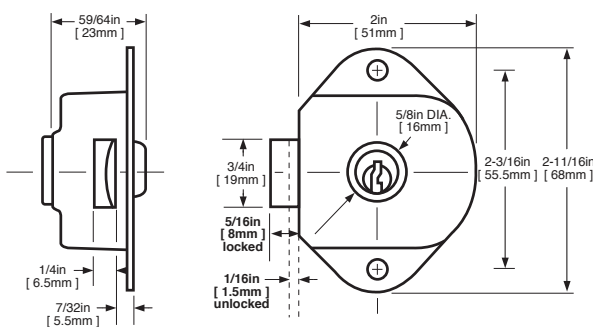
Product Options

- Keyhead available individually, order # 1710-43959
- Keyed Alike, Master Keyed and Group Keyed options available to provide complete flexibility to match a facility's requirements

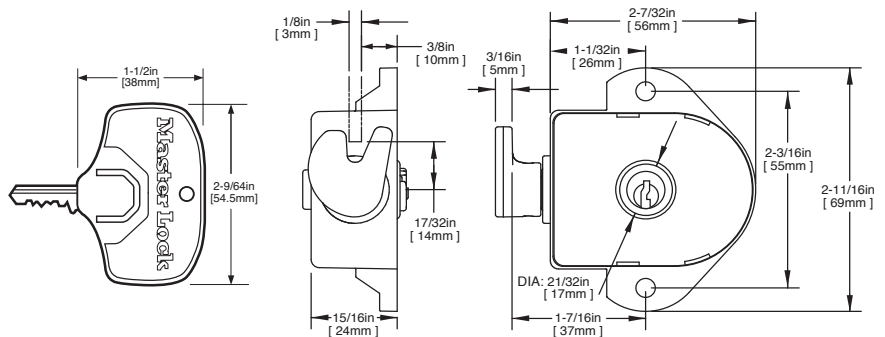


Dimensions

Fits door thickness 0.03 – 0.125in (0.8 – 3.2 mm)



1710MKADA



1790MKADA

Architectural Specifications: Locks shall be key-operated with 5 pin tumbler cylinder with individual, group, or master keying [specifier must choose keying option]. Two(2) keys, one(1) ADA blue key head, and mounting hardware shall be included with each lock. Specify Master Lock #1710MKADA for horizontal deadbolt latching, Master Lock #1714MKADA for horizontal spring bolt latching, or Master Lock #1790MKADA for rotational deadbolt latching. For optional master keying, specify Master Lock #1710MKADA, Master Lock #1714MKADA, or Master Lock #1790MKADA. For optional group keying, specify Master Lock #1710GKADA, Master Lock #1714GKADA, or Master Lock #1790GKADA.

PORTABLE KEYED LOCK



PushKey™ 2650

The Model 2650 PushKey™ is a groundbreaking portable lock. Simply insert key - no turning!

Exclusive Features

- ADA Inspired - Easy-to-Use
- No key turning
- Flared lock body provides easy grip
- Less than 5 pounds of pull down force needed
- Fits most school lockers
- 4 keys included - 2 with large keyhead covers
- Exclusive key guide directs key to keyway



Easy To Operate!

1 Insert Key

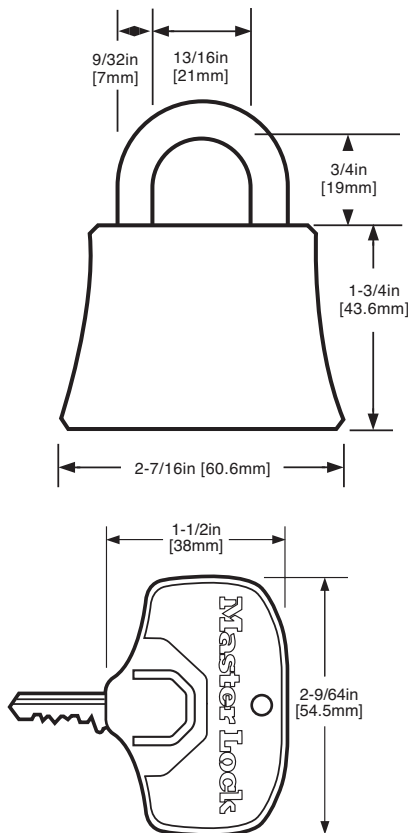


2 Let Go



3 Pull Down

Dimensions



Additional Portable Padlocks

PORTABLE KEYED LOCKS

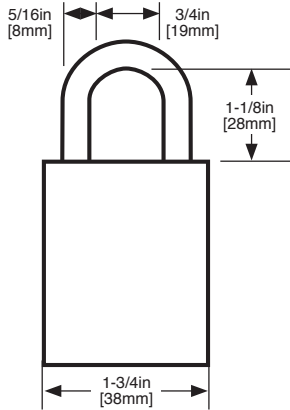
**AMERICAN
LOCK**



A1205 High Security Aluminum Padlocks

Solid anodized aluminum body with hardened, chrome plated, and boron alloy steel shackle durability. Rekeyable.

Dimensions



Exclusive Features

- Dual ball bearing locking mechanisms provides best pry resistance
- Corrosion resistant solid aluminum
- Case hardened boron alloy steel shackles resist cutting
- Pick-resistant 5-pin cylinders – 300 student keys per Master Key system
- Model A1265 available with 6-pin cylinders – 10,000 student keys per Master Key system
- Model A1105/A1165 available with 1/4in (6.5mm) shackle

Product Options

- Laser engravable for easy identification
- Available in nine colors



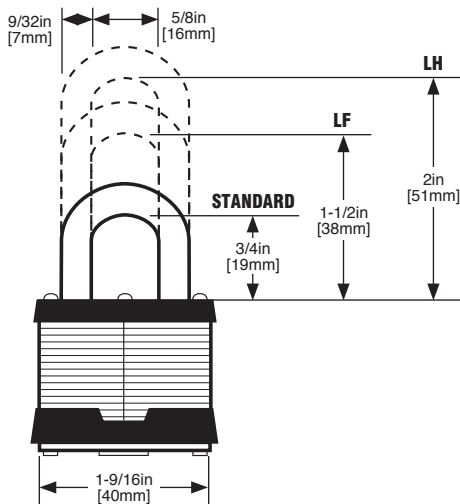
For more information: www.americanlock.com



3 & 11 Laminated Steel Padlocks

Reinforced laminated steel lock bodies with double lever locking mechanisms and pin tumbler key security.

Dimensions



Exclusive Features

- Dual lever locking mechanisms provide extra pry resistance
- Pin tumbler key security: 4 pin cylinders
 - 248 student keys per master keyed system
- Hardened steel and alloy shackles for extra cut resistance
- Proprietary rustproofing for longer life
- 2 keys provided for each lock

Model 3

- Has a removable key when lock is opened or closed

Model 11

- Key retaining when lock is open

Product Options

- Available in 3 shackle lengths
- Brass shackle option available
- Keyed Alike and Master Key systems available

The Master Lock® Advantage

UNMATCHED SERVICE

Master Lock® has a nationwide network of regional sales managers and inside account specialists as well as locker and school supply distributors. Our factory-trained sales representatives provide expert planning, product selection, lock management and support services. Master Lock sells through locker distributors that specialize in locker installation, service and repair. The school supply distributors service educational customers by consolidating multiple, related products.

COMPLETE SUPPORT

Master Lock provides a printed chart and electronic (Excel) file of every lock serial number and combination in an installation. Facility administration can use the printed chart to record locker assignments and the corresponding combination.

CONTROLLED SECURITY

Security management is crucial to any installation. Therefore, Master Lock registers authorized end users and maintains installation records in an extensive database. These records make it easy to expand your system, eliminate duplicate lock serial numbers within a system and disperse control keys by zip code to avoid key crossover between schools. Master Lock provides control keys with the original installation of a key controlled lock system. The keys provide quick, supervisory access to any lock in the system. Replacement keys are only available to registered end users, directly from Master Lock.



Customer Care - 888.878.9952